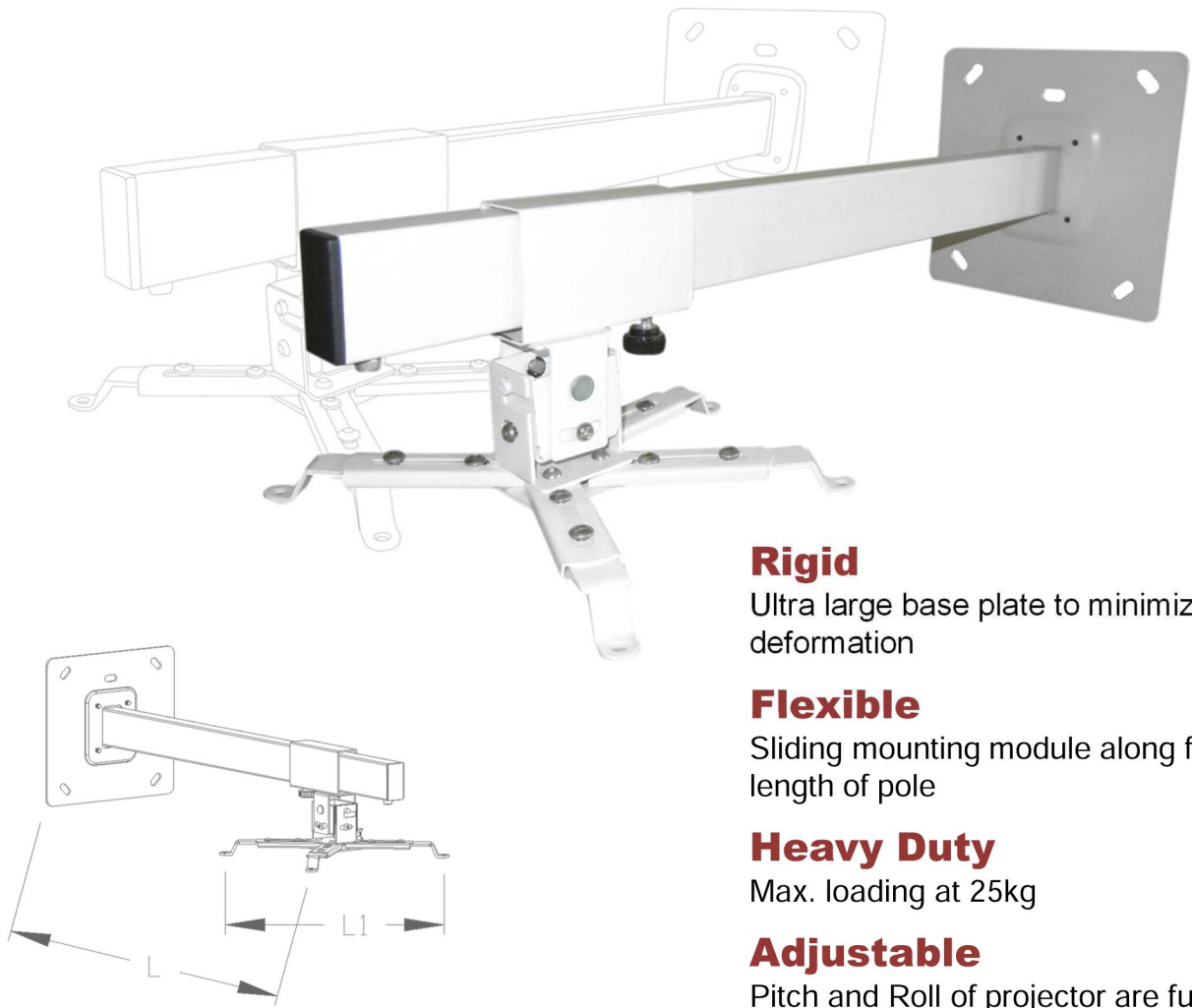


Liberty Short Throw Wall Mount

ST Series



Rigid

Ultra large base plate to minimize deformation

Flexible

Sliding mounting module along full length of pole

Heavy Duty

Max. loading at 25kg

Adjustable

Pitch and Roll of projector are fully adjustable through the universal joint

Model	ST600	ST800	ST1000	ST1200	ST1500
Min. Length (L) / mm	545	745	945	1145	1445
Max. Length (L) / mm	545	745	945	1145	1445
Pole Material	Steel				
Height / Length Adjustment Interval / mm	N.A.				
Max. adjustable length / mm	545	745	945	1145	1445
Product Dimension (LxWxH) / mm	600x200x230	800x200x230	1000x200x230	1200x200x230	1500x200x230
Max. mounting hole linear distance (L1) / mm	350				
Min. mounting hole linear distance (L1) / mm	95				
Pitch / °	±22.5°				
Roll / °	±15°				
Yaw / °	±25°				
Max. loading / kg	25				
Inner Box Dimension / mm	660x212x77	860x212x77	1060x212x77	1260x212x77	1560x212x77
Net Weight per single unit / kg	3.00	3.20	3.40	3.60	3.90
Gross Weight per single unit / kg	3.20	3.40	3.60	3.80	4.20
Unit per outer carton / pcs	12		6		
Outer Carton Box Dimension / mm	1340x440x250	880x440x250	1080x440x250	1280x440x250	1580x440x250
Gross Weight per Outer Carton Box / kg	40.00	24.00	24.60	25.30	28.00
Full 20' container load / pcs	1920	1536	1200	1008	816



AV-VISION EQUIPMENTS (INDIA) PVT. LTD.
 Mktg. Off: 1-20-248, 2nd Floor, Rasoolpura, ('SNOWCEM' Lane)
 SECUNDERABAD- 500 003, Telangana, INDIA.
 Tele : +91-(0)40-6722 2555, 6722 2549, TOLL FREE (BSNL): 1800-425-2936
 E-mail: sales@av-visionindia.co.in
 www.av-visionindia.co.in

SCAN QR CODE

